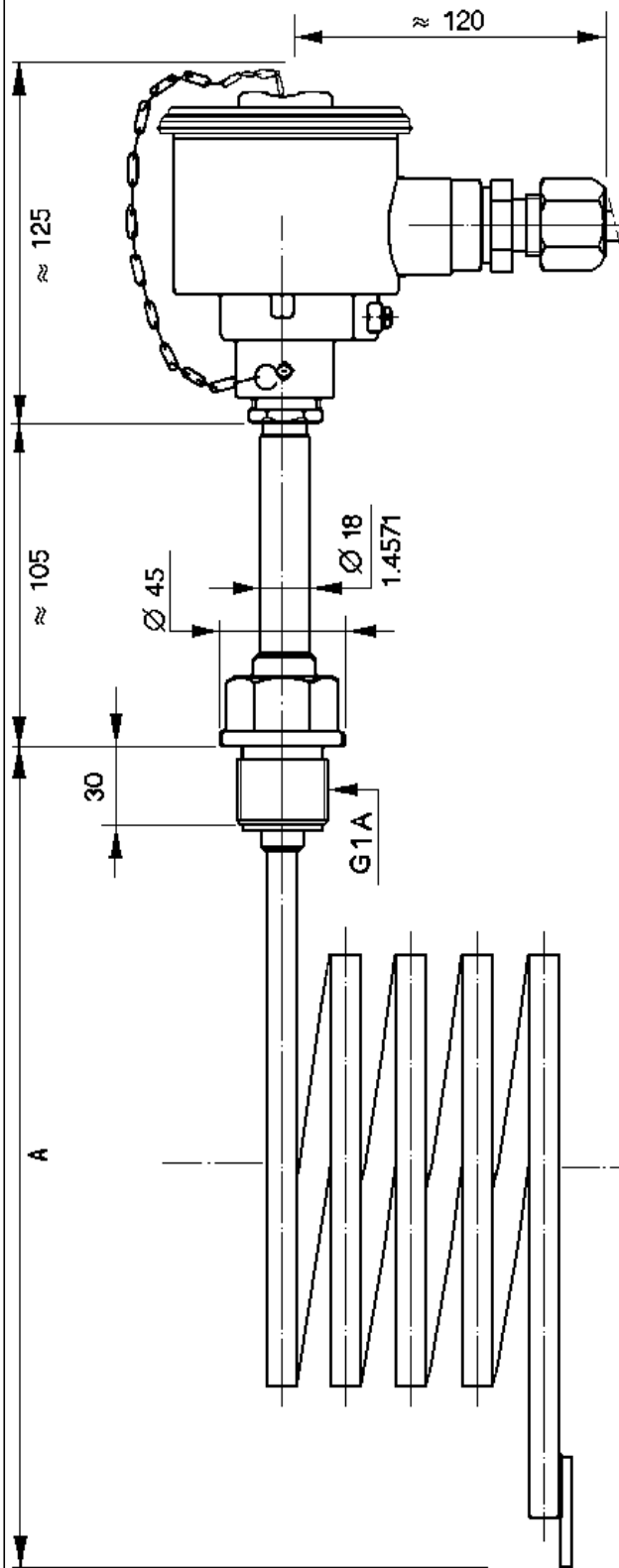


SENSITHERM S.r.l.

Rev. 00
Spec. Tc-testa-skin-EEExd01

Mineral-Insulated thermocouple
with Skin mounting system and EEx-d IIC Connection Head

Issued 06.04.2000
Approv.



Technical Data sheet :

Type : Mineral-Insulated Thermocouple with Connection Head Form " SK/SO " **EEx-d IIC**

Thermocouple : NiCr/Ni, Type "K", acc. to IEC 584
 Fe/CuNi, Type "J", acc. to IEC 584
 Nicrosil/Nisil, Type "N", acc. IEC 584
 Fe/CuNi, Type "L", acc. to DIN 43710
 Cu/CuNi, Type "T", acc. to IEC 584

Connection Head: SK Blind
 SO For temperature visualization

Thermocouple N° : N° Thermoelement

Tolerance : Class 2, acc. to IEC 584

Insulation material : Densely packed MgO

Inset Diameter : 6,0mm

Hot Junction : Insulated
 Grounded

Mounting arrang. : Threaded

Lagging type : One piece
 Nipples and union

Length (mm)"A":

Spring diam. (mm):

N° Coils :

Type of skin : Right type
 Left type

Pad dim. (mm) :

Inset material : 1.4571 AISI 316 Ti
 1.4749 AISI 446
 2.4816 INCONEL 600

Note :