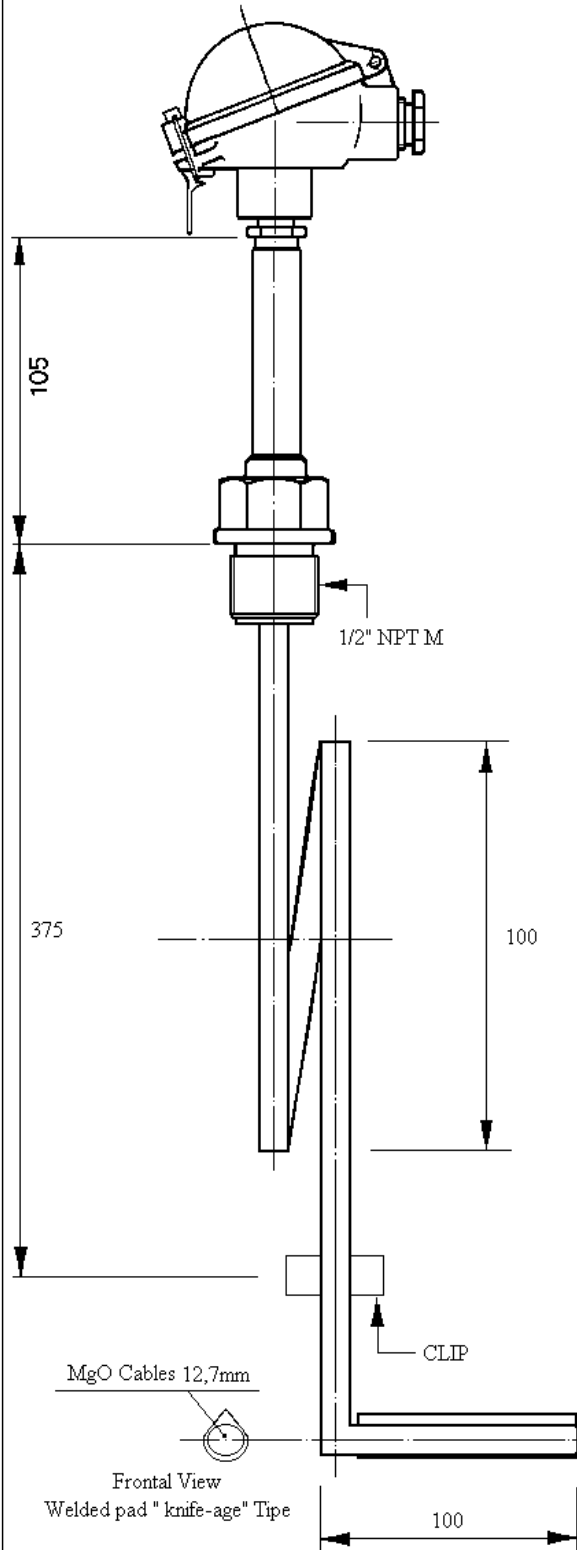


# SENSITHERM S.r.l.

Rev. 00  
Spec. Tc-testa-skin-EEExd02

Mineral-Insulated thermocouple  
with Skin mounting system and IP 65 Connection Head

Issued 06.04.2000  
Approv.



## Technical Data sheet :

**Type :** Mineral-Insulated Thermocouple with Connection Head Form " BUZ " IP 65

**Thermocouple :**

- NiCr/Ni, Type "K", acc. to IEC 584
- Fe/CuNi, Type "J", acc. to IEC 584
- Nicrosil/Nisil, Type "N", acc. IEC 584
- Fe/CuNi, Type "L", acc. to DIN 43710
- Cu/CuNi, Type "T", acc. to IEC 584

**Connection Head:**

- SK Blind
- " BUZ " IP 65

**Thermocouple N° :** N° Thermoement

**Tolerance :** Class 2, acc. to IEC 584

**Insulation material :** Densely packed MgO

**Inset Diameter :**

- 6,0mm

**Hot Junction :**

- Insulated
- Grounded

**Mounting arrang. :** Threaded

**Lagging type :**

- One piece
- Nipples and union

**Lungh.imm.(mm):**

**Spring diam. (mm):**

**N° Coils :**

**Type of skin :**

- Right type
- Left type

**Pad dim. (mm) :** No

**Inset material :**

- 1.4571 AISI 316 Ti
- 1.4749 AISI 446
- 2.4816 INCONEL 600

**Note :**