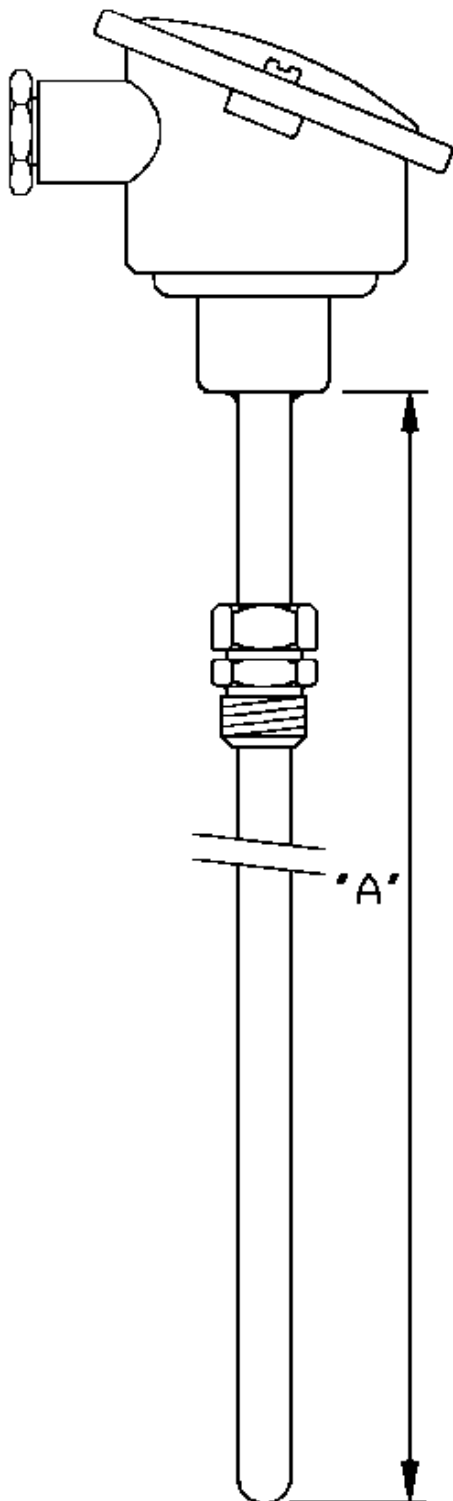


SENSITHERM S.r.l.

Rev. 00
Spec. Tc-testa-raccordo02

Mineral-Insulated thermocouple
with light weight Connection Head

Issued 06.04.2000
Approv.



Technical Data sheet :

Type : Mineral-Insulated Thermocouple with
Connection Head Form " B " IP54
acc. To DIN 43729

Thermocouple : NiCr/Ni, Type "K", acc. to IEC 584
 Fe/CuNi, Type "J", acc. to IEC 584
 Nicrosil/Nisil, Type "N", acc. IEC 584
 Fe/CuNi, Type "L", acc. to DIN 43710
 Cu/CuNi, Type "T", acc. to IEC 584

Thermocouple N° : N° Thermoelement

Tolerance : Std. Class 2, acc. to IEC 584

Insulation material : Densely packed MgO

Sheath Material : Stainless Steel, 1.4571 " AISI 316 Ti "
 2.4816 Inconel 600 for type K - N

Hot Junction : Insulated
 Grounded

Insulation resistance :
> 50Mohm at 20°C and 250Vdc

Termination : Ceramic terminal block

Mounting thread : Adjustable thread

Probe Diameter : 1,5mm
 3,0mm
 4,5mm
 6,0mm
 8,0mm

Probe length "A" :

Note :

.....
.....
.....
.....