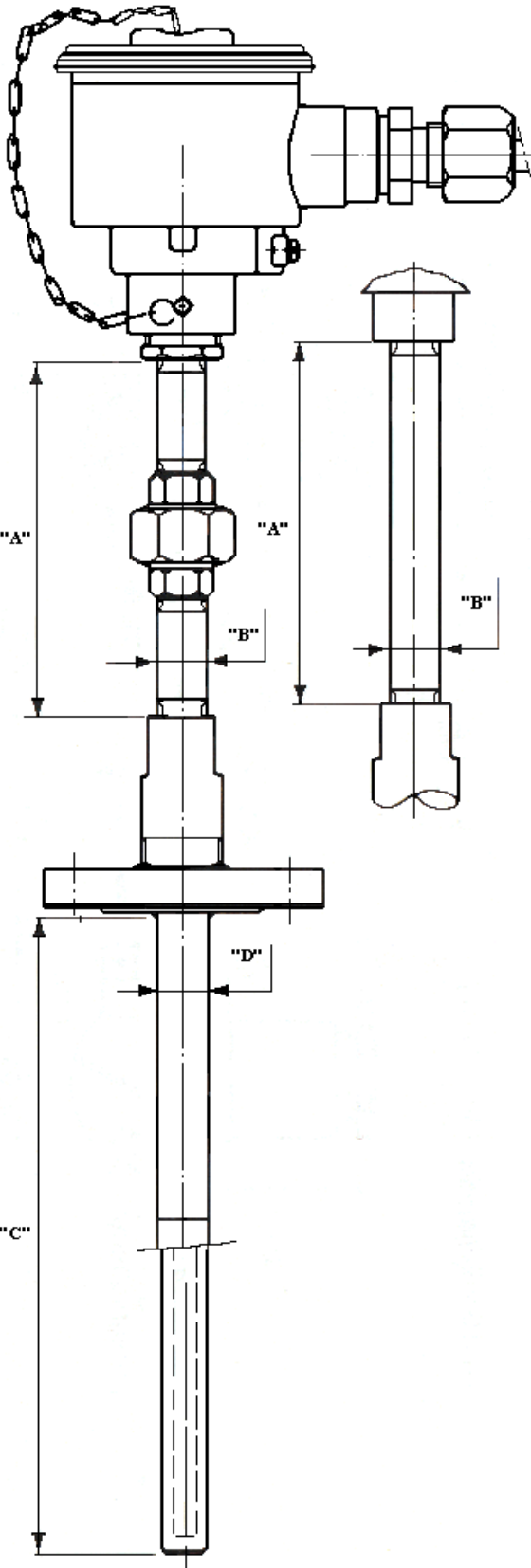


SENSITHERM S.r.l.

Rev. 00
Spec. Tc-testa-flangia-EEExd01

Mineral-Insulated thermocouple
with interchangeable insets and EEx-d IIC Connection Head

Issued 06.04.2000
Approv.



Technical Data sheet :

Type : Mineral-Insulated Thermocouple with Connection Head Form " SK/SO " **EEEx-d IIC**

Thermocouple :

- NiCr/Ni, Type "K", acc. to IEC 584
- Fe/CuNi, Type "J", acc. to IEC 584
- Nicrosil/Nisil, Type "N", acc. IEC 584
- Fe/CuNi, Type "L", acc. to DIN 43710
- Cu/CuNi, Type "T", acc. to IEC 584

Thermocouple N° : N° Thermoelement

Tolerance : Class 2, acc. to IEC 584

Insulation material : Densely packed MgO

Inset Diameter : 6,0mm

Hot Junction : Insulated, common insulated for duplex

Mounting arrang. : Welded Flange

Flange type :

Lagging type :

- One piece
- Nipples and union

Length (mm)"A": Std. 150mm

Diam. (mm)"B": Std. 21mm

Thermowell material (from bare) :

- 1.4541 AISI 321
- 1.4571 AISI 316 Ti
- 1.4749 AISI 446
- 2.4816 INCONEL 600

Length (mm)"C":

Diam. (mm)"D":

Note :