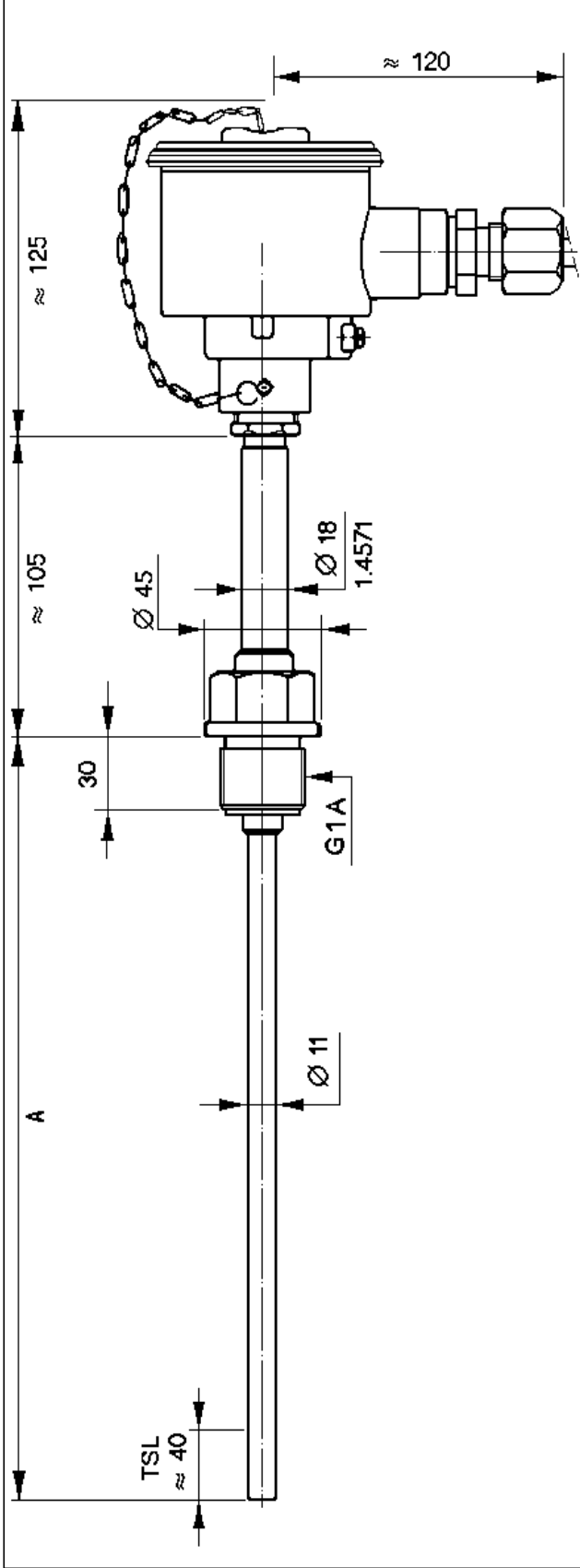


SENSITHERM S.r.l.

Rev. 00 Spec. Tc-testa-filetto-EExd01	Mineral-Insulated thermocouple with interchangeable insets and EEx-d IIC Connection Head	Issued 06.04.2000 Approv.
--	---	------------------------------



Technical Data sheet :

Type : Mineral-Insulated Thermocouple with Connection Head Form " SK/SO " **EEx-d IIC**

Thermocouple :

<input type="checkbox"/>	NiCr/Ni, Type "K", acc. to IEC 584
<input type="checkbox"/>	Fe/CuNi, Type "J", acc. to IEC 584
<input type="checkbox"/>	Nicrosil/Nisil, Type "N", acc. IEC 584
<input type="checkbox"/>	Fe/CuNi, Type "L", acc. to DIN 43710
<input type="checkbox"/>	Cu/CuNi, Type "T", acc. to IEC 584

Connection Head:

<input type="checkbox"/>	SK Blind
<input type="checkbox"/>	SO For temperature visualization

Thermocouple N° : N° Thermoelement

Tolerance : Class 2, acc. to IEC 584

Insulation material : Densely packed MgO

Inset Diameter :

<input type="checkbox"/>	6,0mm
--------------------------	-------

Hot Junction :

<input type="checkbox"/>	Insulated
<input type="checkbox"/>	Grounded

Mounting arrang. : Threated

Lagging type :

<input type="checkbox"/>	One piece
<input type="checkbox"/>	Nipples and union

Length (mm) "A" :

Diam. (mm) "B" :

Thermowell type :

<input type="checkbox"/>	From Tube
<input type="checkbox"/>	From Bare

Thermowell material :

<input type="checkbox"/>	1.4541 AISI 321
<input type="checkbox"/>	1.4571 AISI 316 Ti
<input type="checkbox"/>	1.4749 AISI 446
<input type="checkbox"/>	2.4816 INCONEL 600

Note :

.....

.....

.....