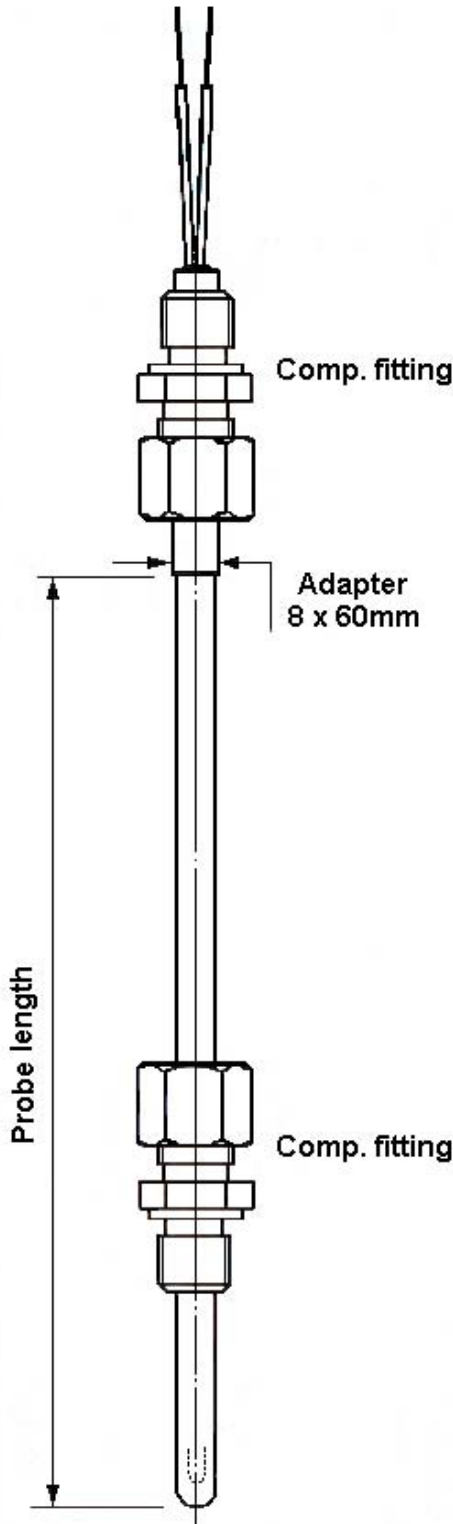


# SENSITHERM S.r.l.

Rev. 00  
Spec. Tc-cavo-raccordo02

Mineral-Insulated thermocouples  
with cable connection

Issued 26.03.2001  
Approv.



## Technical Data sheet :

Model :

Type :

Mineral-Insulated Thermocouple with  
Cable connection

Thermocouple :

- NiCr/Ni, Type "K", acc. to IEC 584
- Fe/CuNi, Type "J", acc. to IEC 584
- Nicrosil/Nisil, Type "N", acc. IEC 584
- Fe/CuNi, Type "L", acc. to DIN 43710
- Cu/CuNi, Type "T", acc. To IEC 584

Thermoelement N° : N°

Thermoelement

Tolerance :

Std. Class 2, acc. to IEC 584

Insulation material :

Densely packed MgO

Sheath Material :

- Stainless Steel, 1.4571 " AISI 316 Ti "
- 2.4816 Inconel 600 for type K - N

Cable Material :

- PVC-Insulated flexible Thermocouple wire
- Silicon Insulated flexible Thermocouple wire
- Fiberglass/Silicon Ins. Flexible Thermoc.wire
- Teflon Insulated flexible Thermocouple wire

Cable length :

Insulation resistance :

> 50Mohm at 20°C and 100Vdc

Hot Junction :

- Insulated
- Grounded

Mounting thread :

- Fixed thread
- Adjustable thread

Probe Diameter :  
"D"

- 1,5mm
- 3,0mm
- 4,5mm
- 6,0mm
- 8,0mm

Probe length :

Note :