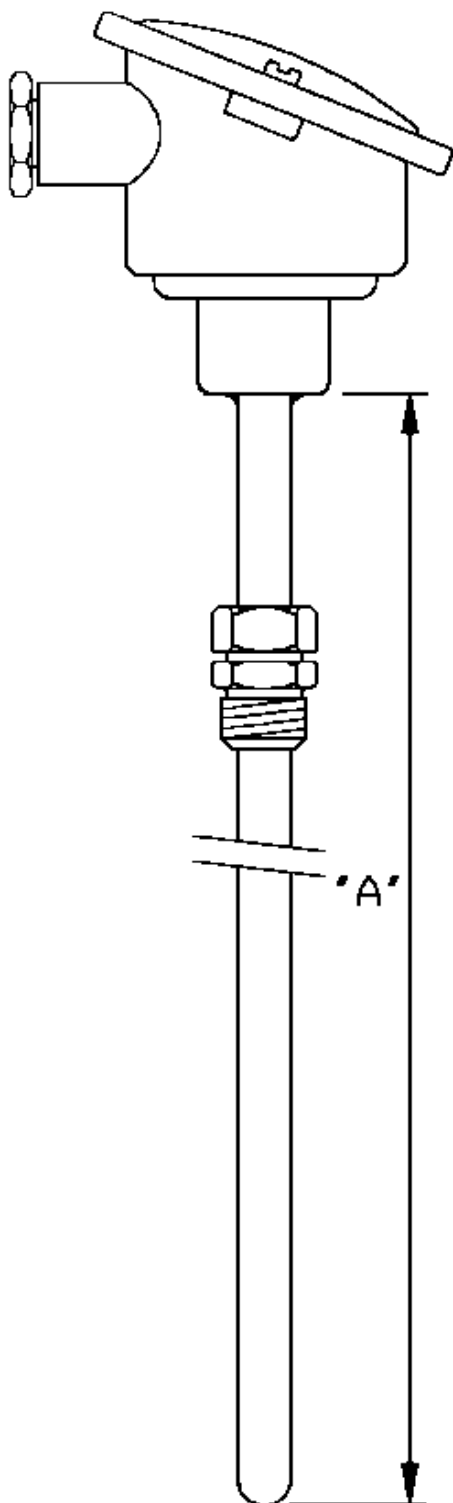


# SENSITHERM S.r.l.

Rev. 00  
Spec. Rtd-testa-raccordo02

Mineral-Insulated resistance thermometer  
with light weight Connection Head

Issued 06.04.2000  
Approv.



## Technical Data sheet :

**Type :** Mineral-Insulated Resistance thermometer with Connection Head Form " B " IP 54

**Sensor :**  Pt 100 ohm 0°C, acc. to IEC 751  
 Pt 1000 ohm 0°C, acc. to IEC 751

**Tolerance :**  Class " B "  
 Class " A "

**Thermoelement N° :** N° Thermoelement

**Wiring system :**

**Insulation material :** Densely packed MgO

**Sheath Material :**  Stainless Steel, 1.4571 " AISI 316 Ti "

**Insulation resistance :**  
> 50Mohm at 20°C and 100Vdc

**Termination :** Ceramic terminal block

**Mounting thread :** Adjustable thread

**Probe Diameter :**  3,0mm  
 4,5mm  
 6,0mm  
 8,0mm

**Probe length "A" :**

**Temp. range :**  Std. -50° +550°C  
 Required -200° +850°C

**Note :** .....