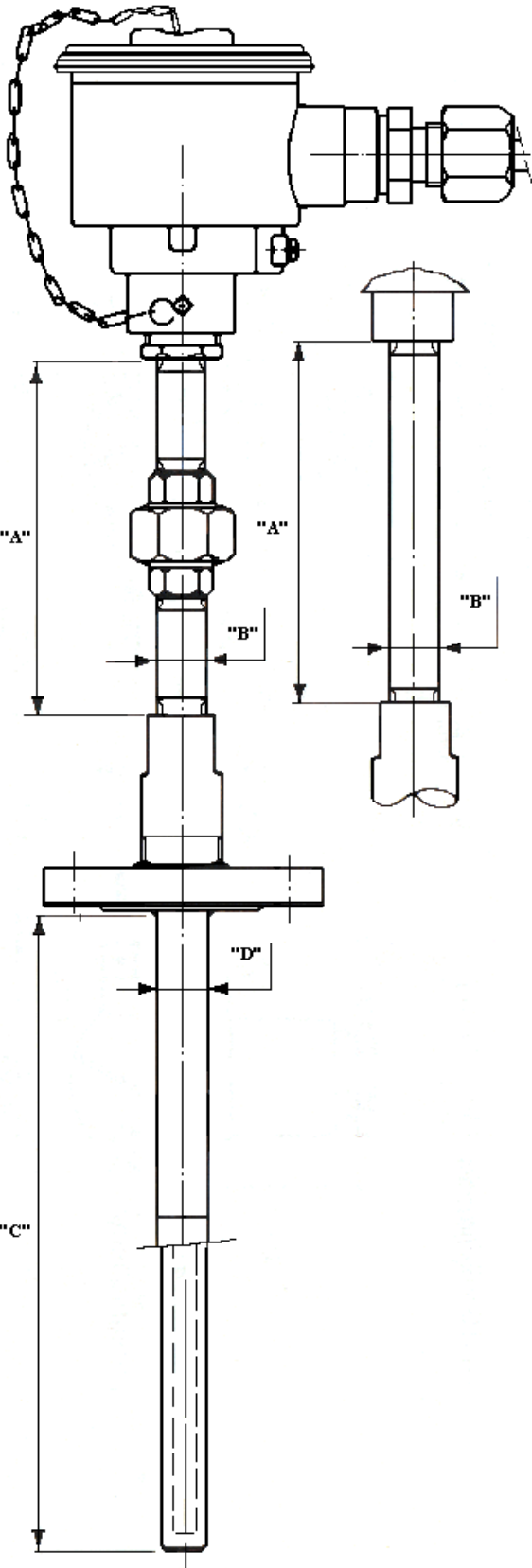


# SENSITHERM S.r.l.

Rev. 00  
Spec.Rtd-testa-flangia-EEExd01

Mineral-Insulated resistance thermometer  
with interchangeable insets and EEx-d IIC Connection Head

Issued 06.04.2000  
Approv.



## Technical Data sheet :

Type : Mineral-Insulated resistance thermometer with connection Head Form " SK/SO " EEx-d IIC T6

Sensor :  Pt 100 ohm 0°C, acc. to IEC 751  
 Pt 1000 ohm 0°C, acc. to IEC 751

Tolerance :  Class " B "  
 Class " A "

Thermoelement N° : N° Thermoelement

Wiring sistem :

Insulation material : Densely packed MgO

Inset Diameter :  6,0mm

Insulation resistance :  
> 50Mohm at 20°C and 100Vdc

Mounting arrang. : Welded Flange

Flange type : .....

Lagging type :  One piece  
 Nipples and union

Length (mm)"A":  Std. 150mm

Diam. (mm)"B":  Std. 21mm

Thermowell material ( from bare ) :

1.4541 AISI 321  
 1.4571 AISI 316 Ti  
 1.4749 AISI 446  
 2.4816 INCONEL 600

Length (mm)"C": .....

Diam. (mm)"D": .....

Note : .....