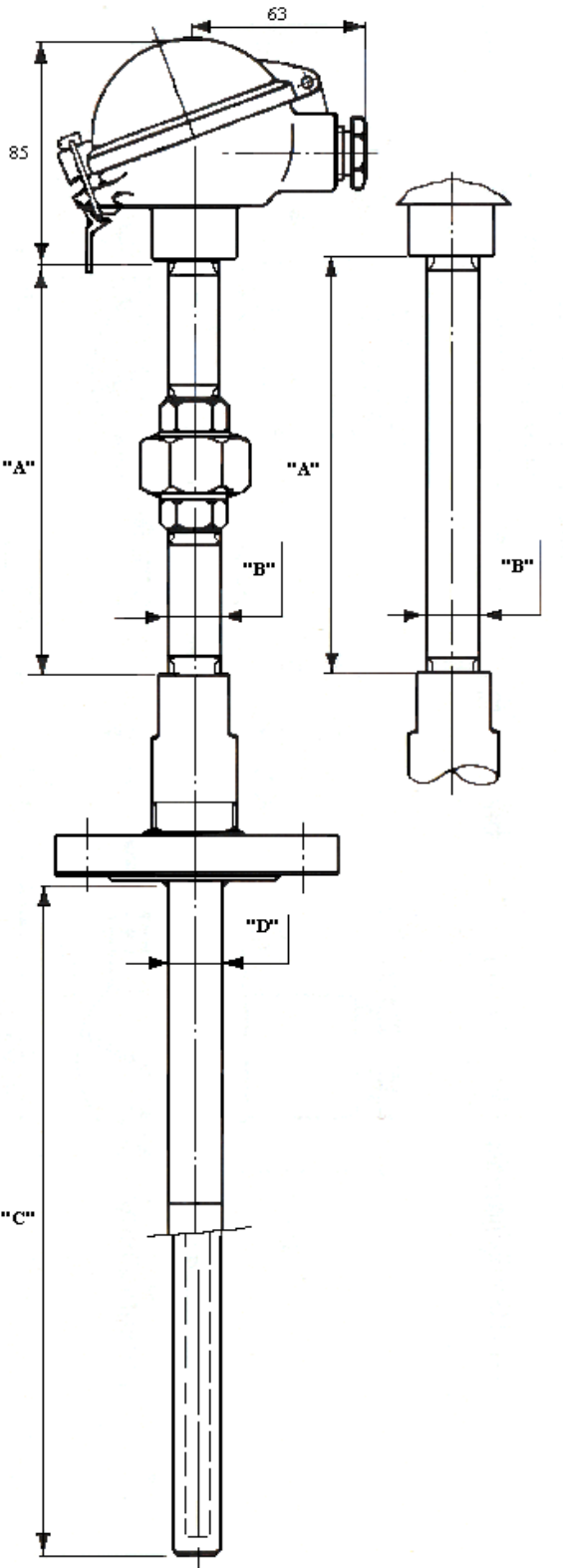


SENSITHERM S.r.l.

Rev. 00
Spec. Rtd-testa-flangia01

Mineral-Insulated resistance thermometer
with interchangeable insets and Connection Head

Issued 06.04.2000
Approv.



Technical Data sheet :

Type : Mineral-Insulated Resistance thermometer with Connection Head Form " BUS " IP65

Sensor : Pt 100 ohm 0°C, acc. to IEC 751
 Pt 1000 ohm 0°C, acc. to IEC 751

Tolerance : Class " B "
 Class " A "

Thermoelement N° : N° Thermoelement

Wiring sistem :

Insulation material : Densely packed MgO

Inset Diameter : 6,0mm

Insulation resistance :
> 50Mohm at 20°C and 100Vdc

Mounting arrang. : Welded Flange

Flange type :

Lagging type : One piece
 Nipples and union

Length (mm)"A": Std. 150mm

Diam. (mm)"B": Std. 21mm

Thermowell material (from bare) :

1.4541 AISI 321
 1.4571 AISI 316 Ti
 1.4749 AISI 446
 2.4816 INCONEL 600

Length (mm)"C":

Diam. (mm)"D":

Note :