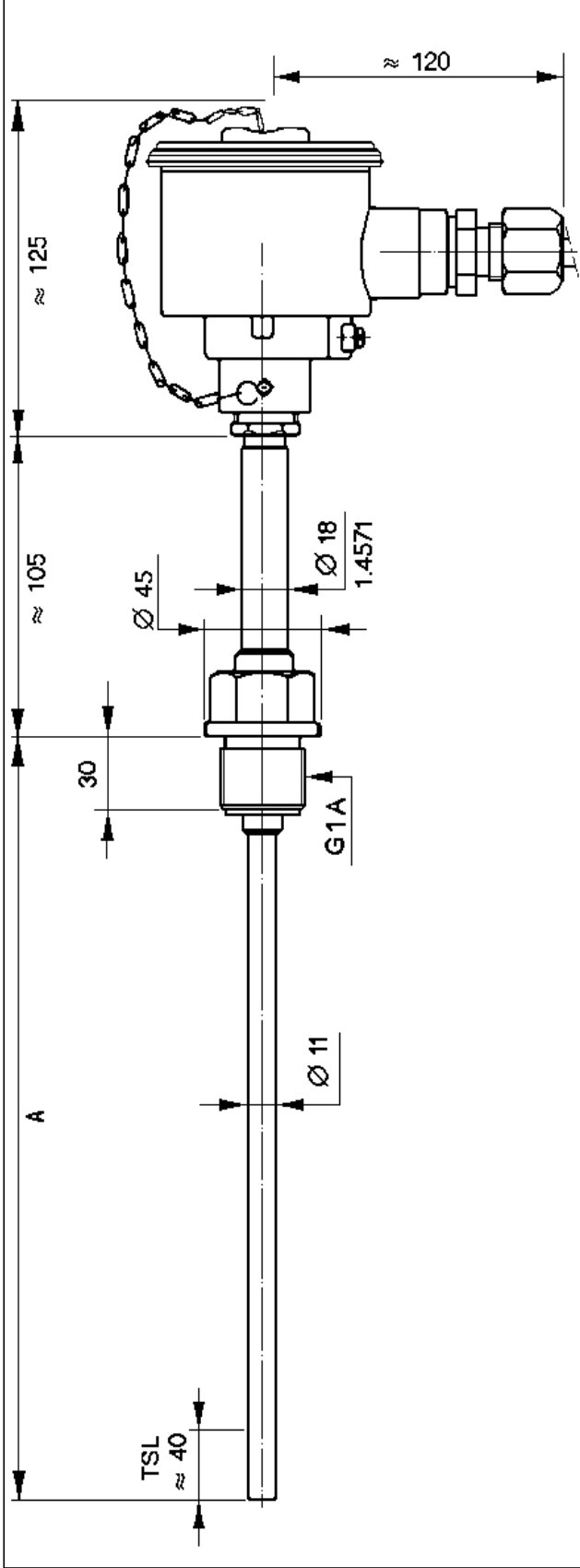


SENSITHERM S.r.l.

Rev. 00 Spec. Tc-testa-filetto-EEExd01	Mineral-Insulated resistance thermometer with interchangeable insets and EEx-d IIC Connection Head	Issued 06.04.2000 Approv.
---	---	------------------------------



Technical Data sheet :

Type : Mineral-Insulated resistance thermometer with connection Head Form " SK/SO " EEx-d IIC T6

Sensor : Pt 100 ohm 0°C, acc. to IEC 751
 Pt 1000 ohm 0°C, acc. to IEC 751

Tolerance : Class " B "
 Class " A "

Thermoelement N° : N° Thermoelement

Wiring system :

Insulation material : Densely packed MgO

Inset Diameter : 6,0mm

Insulation resistance :
 > 50Mohm at 20°C and 100Vdc

Mounting arrang. : Threaded

Lagging type : One piece
 Nipples and union

Length (mm) "A" :

Diam. (mm) "B" :

Thermowell type : From Tube
 From Bare

Thermowell material :
 1.4541 AISI 321
 1.4571 AISI 316 Ti
 1.4749 AISI 446
 2.4816 INCONEL 600

Note : _____

